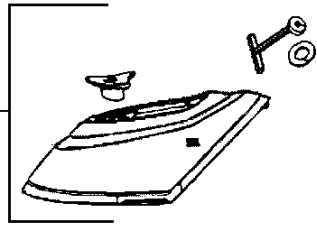
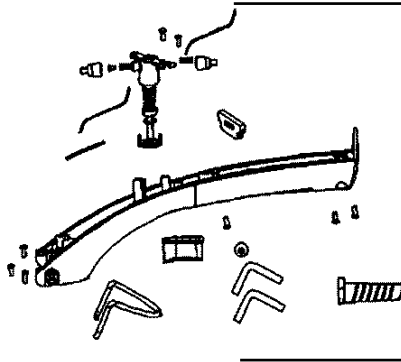


DV8610E1/D80

FS-9100019306



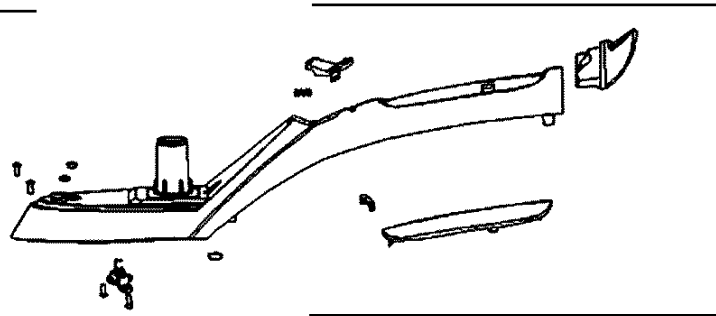
FS-9100019312



FS-9100019308



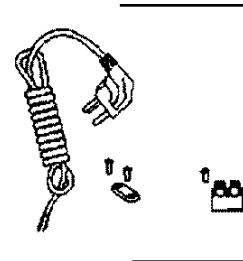
FS-9100019527



FS-9100019526



FS-9100019528



FS-9100019309

