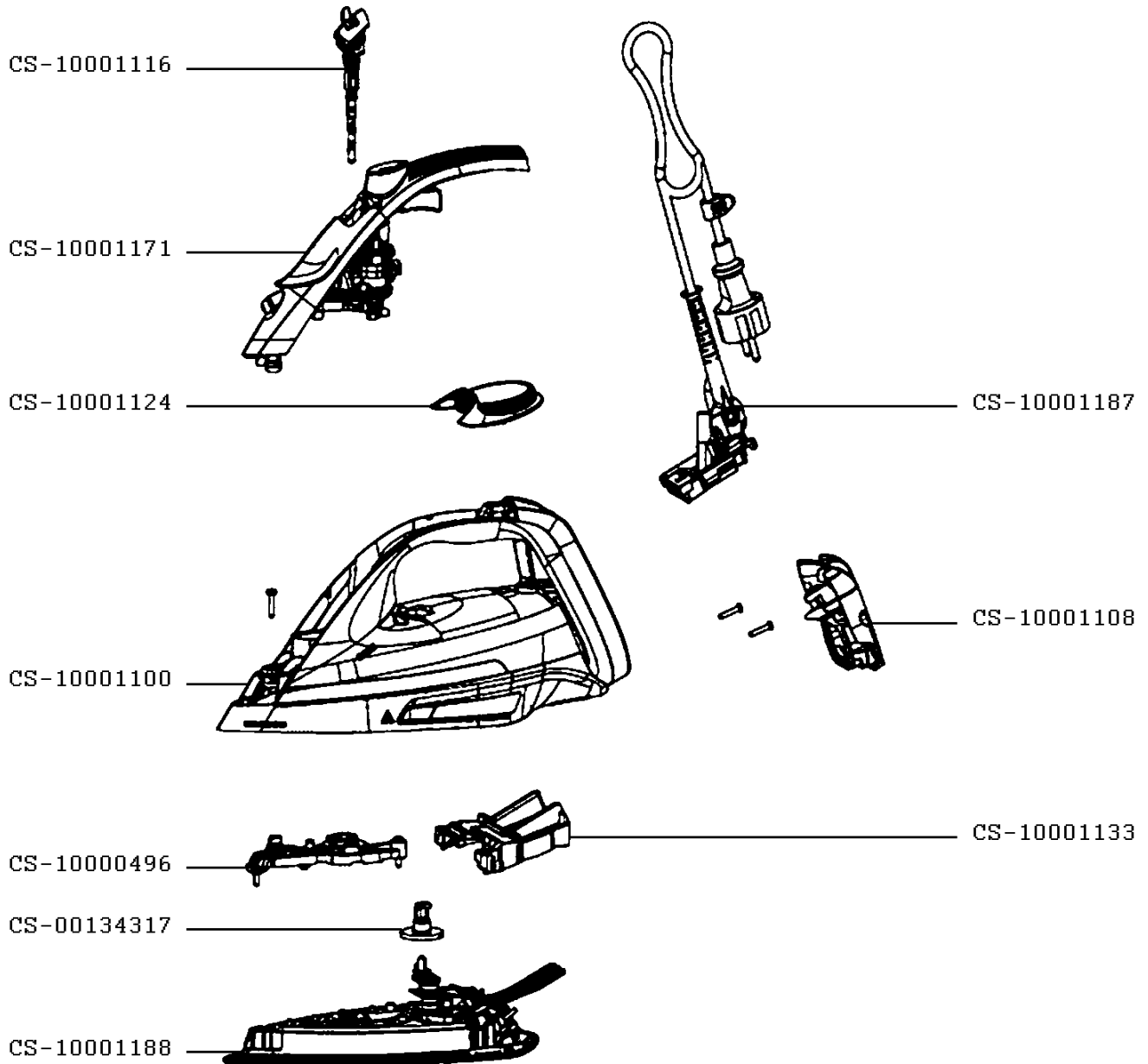


**STEAM IRON
SMART PROTECT PLUS**

FV6872E0/23



CREATION	2/1/2021	PAGE	COUNTRY	FAMILY
EDIT	2/23/2021	1/1	AT	XI