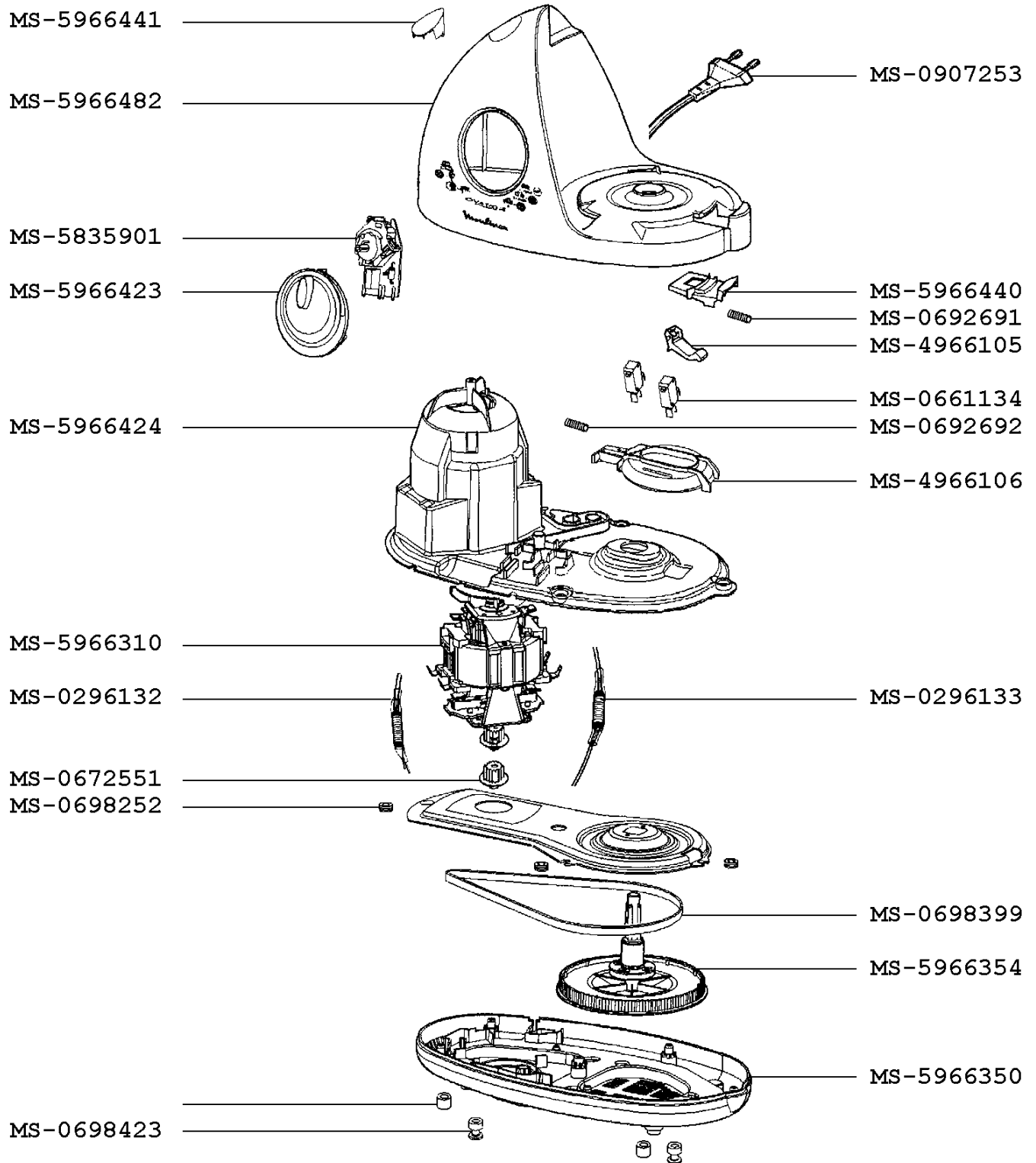


FOOD PROCESSOR OVATIO 2

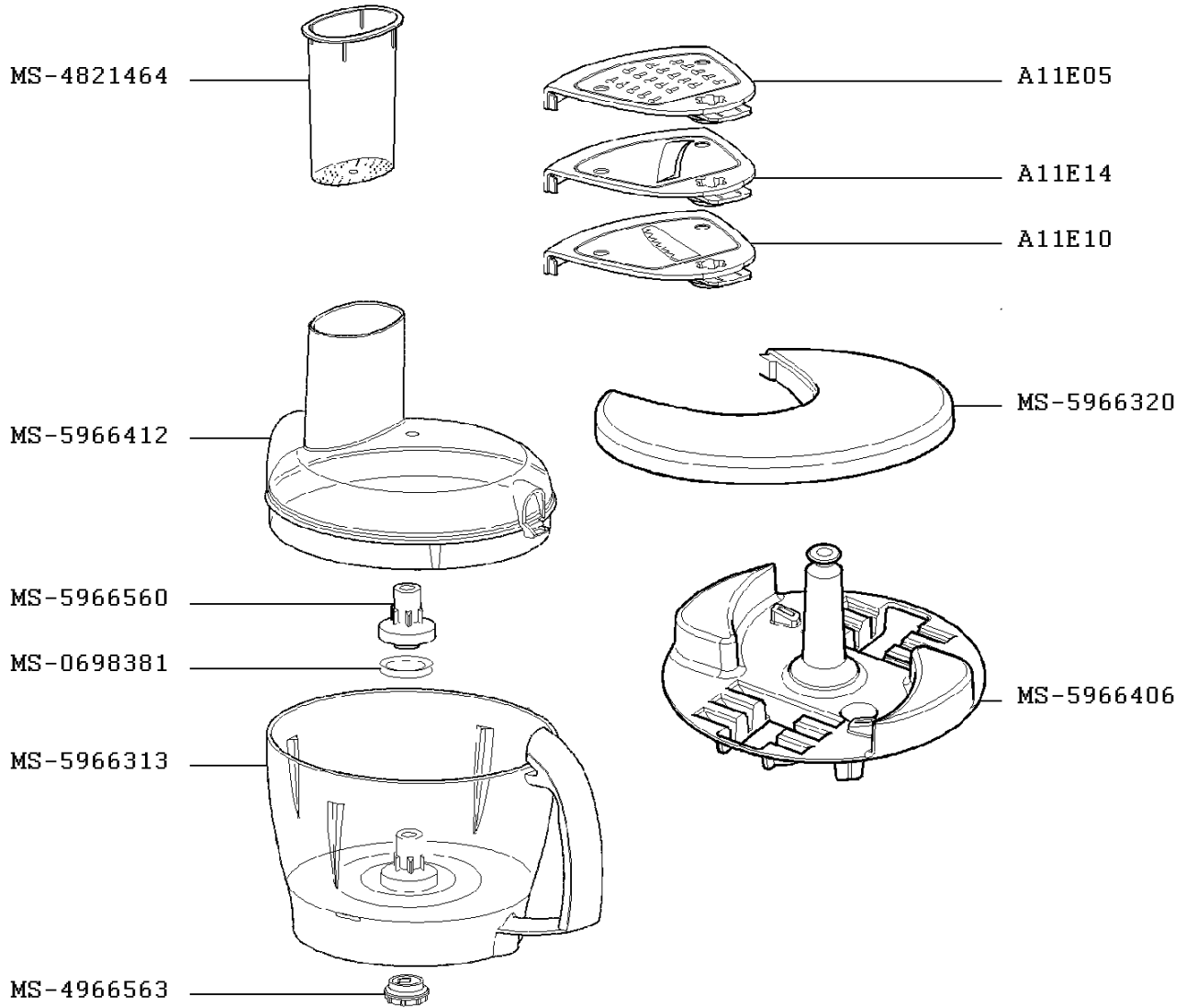
AAT3R8(0)



CREATION		PAGE	COUNTRY	FAMILY
EDIT	11/4/2010	1/3	AE	III

FOOD PROCESSOR OVATIO 2

AAT3R8(0)



FOOD PROCESSOR OVATIO 2

AAT3R8(0)

